

The Componon 4.0/28 is a 28 mm focal length, enlarging lens with 30 mm image circle for large format sensors and short working distance. This lens can also be used in reverse position depending on the field of vision and pixel size with the symmetrical V-mount interface without additional accessories. The modular system with wide-ranging accessories such as helical focus barrel (Unifoc 58 and 76), extension tubes, and adapters for various cameras, can be used for all kind of sophisticated applications from web inspection to laser triangulation.

This, the fast F/# of 4.0 and low longitudinal and lateral chromatic aberration, as well as extremely low distortion all combined make these lens unique. The Unifoc Series offers more enlarging lenses with 35 mm, 40 mm, 45 mm, 50 mm, 60 mm, 80 mm, 90 mm, 100 mm, 135 mm, 150 mm focal length and a macro lens series and a line scan lens series both for Unifoc 7 and 12 helicoid focus barrels.



Componon 4.0/28

Key features

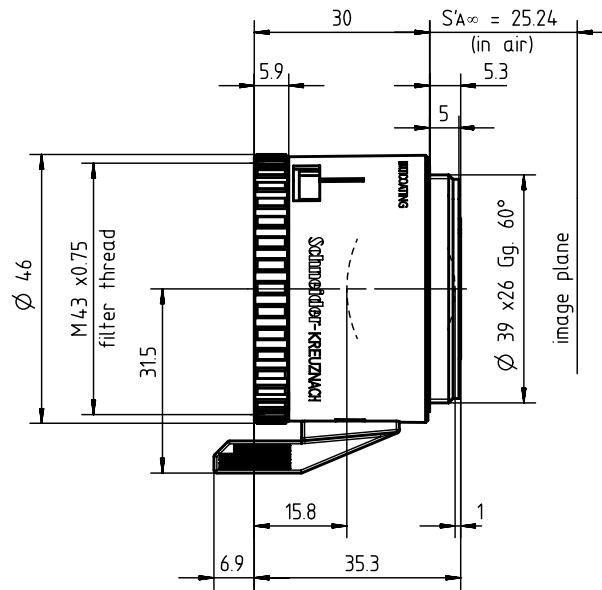
- Large Format
- Short working distance
- Modular: Unifoc 58 and 76 focus helical barrels, extension tubes, various camera adapters
- Possibility to be used in retro position

Applications

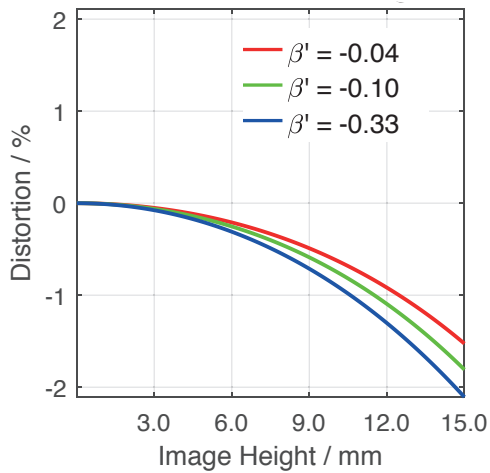
- Solar inspection
- OLED inspection
- Line scan applications
- Laser triangulation
- Quality control

Name	Componon 4.0/28
Type	-0012
Focal Length [mm]	28
Magnification	-0.5
Image circle [mm]	30
Resolution [μm]	3.65
F/# range	4 ... 22
NA	0.13
Interface	Leica-Mount
Working distance [mm]	61
AoV / °	54
Focus control	manual
Transmission [nm]	400 - 1000
Filter thread [mm]	M43 x 0.75
Dimensions L x D [mm]	35.0 x 46.0

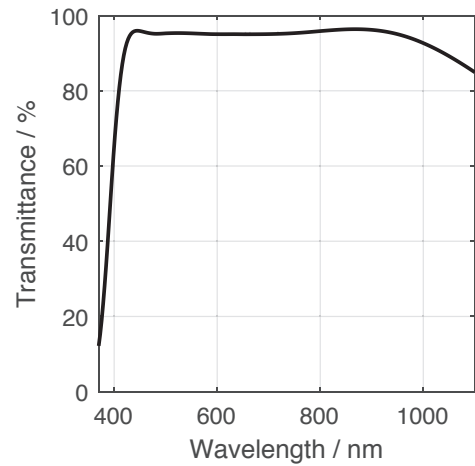
Name	Componon 4.0/28
Weight [g]	90
Storage temperature [°C]	-25 ... +70
f'_{eff} [mm]	29.29
S_F [mm]	-16.31
S'_F [mm]	20.82
HH' [mm]	-2.94
β'_p	1.049
S_{EP} [mm]	11.62
S'_{AP} [mm]	-9.90
Σd [mm]	18.52
ID	37275



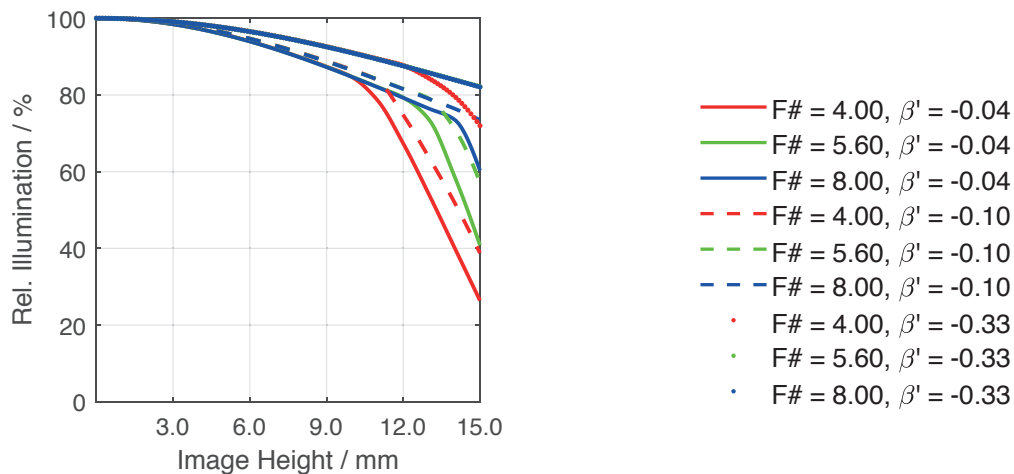
Distortion vs. Image Height



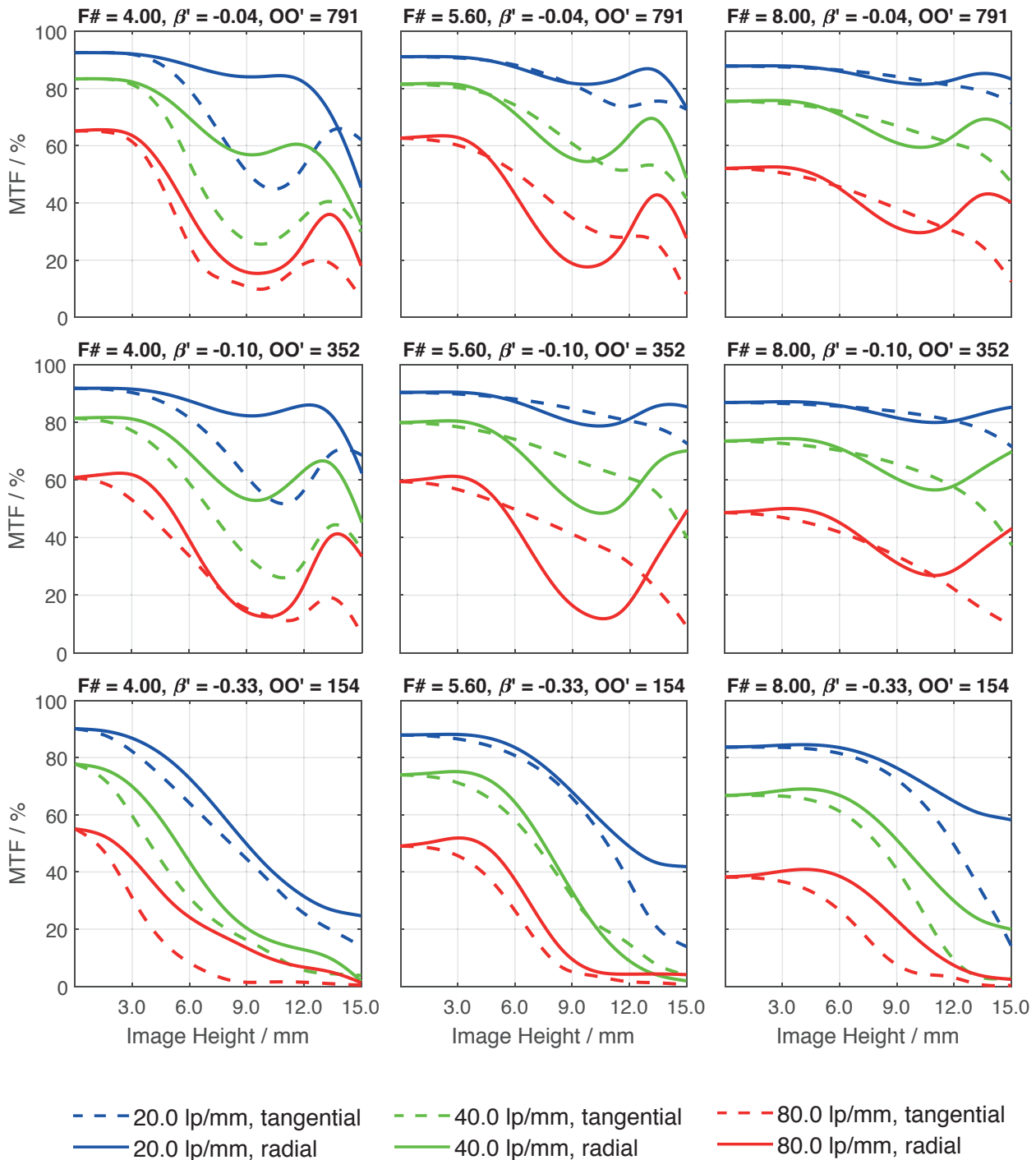
Transmittance vs. Wavelength



Relative Illumination vs. Image Height



Spectrum Name	VIS					
Wavelengths [nm]	425	475	525	575	625	675
Weights	8	16	23	22	19	13



Accessories	Mount	Length	ID
Macro	UNIFOC 58 Leica / T2	-	39549
	UNIFOC 76 Leica / M58 x 0.75	-	13048
Ext. Tube	T2 / T2	25 mm	41643
	M58 x 0.75	10 mm	13051
	M58 x 0.75	25 mm	13050
	M72 x 0.75	5 mm	1072420
	M72 x 0.75	10 mm	1072421
	M72 x 0.75	25 mm	26406
	M72 x 0.75	50 mm	1054733
	M95 x 1.0	25 mm	1062892
	M95 x 1.0	50 mm	1062893
	M95 x 1.0	100 mm	1062894
	Adapter	M58 / M72 x 0.75	-
M58 / M95 x 1		-	1062891
T2 / C-Mount		-	41629
T2 / Nikon		-	21591
M50 x 0.75 for CPN-S 135/150		-	17231

Get more information

Contact our local offices



Headquarter Germany

Jos. Schneider Optische Werke GmbH

Ringstraße 132

55543 Bad Kreuznach

☎ +49 671 601 205

✉ cs@schneiderkreuznach.com

www.schneiderkreuznach.com

Offices Worldwide

China

☎ +86 755 8832 1170

✉ shawn.liu@schneider-asiapacific.com

North America

☎ +1 800 645 7239 (East Coast)

☎ +1 800 228 1254 (West Coast)

✉ info@schneideroptics.com

Singapore

☎ +65 9488 0062

✉ thongv@schneiderkreuznach.com