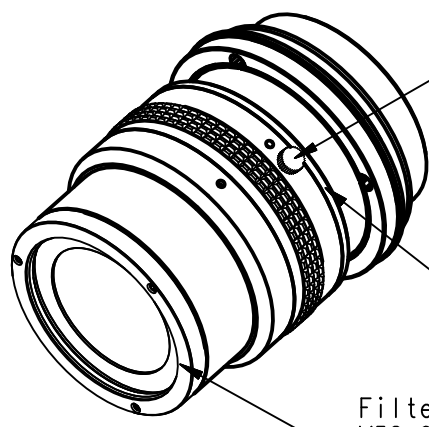
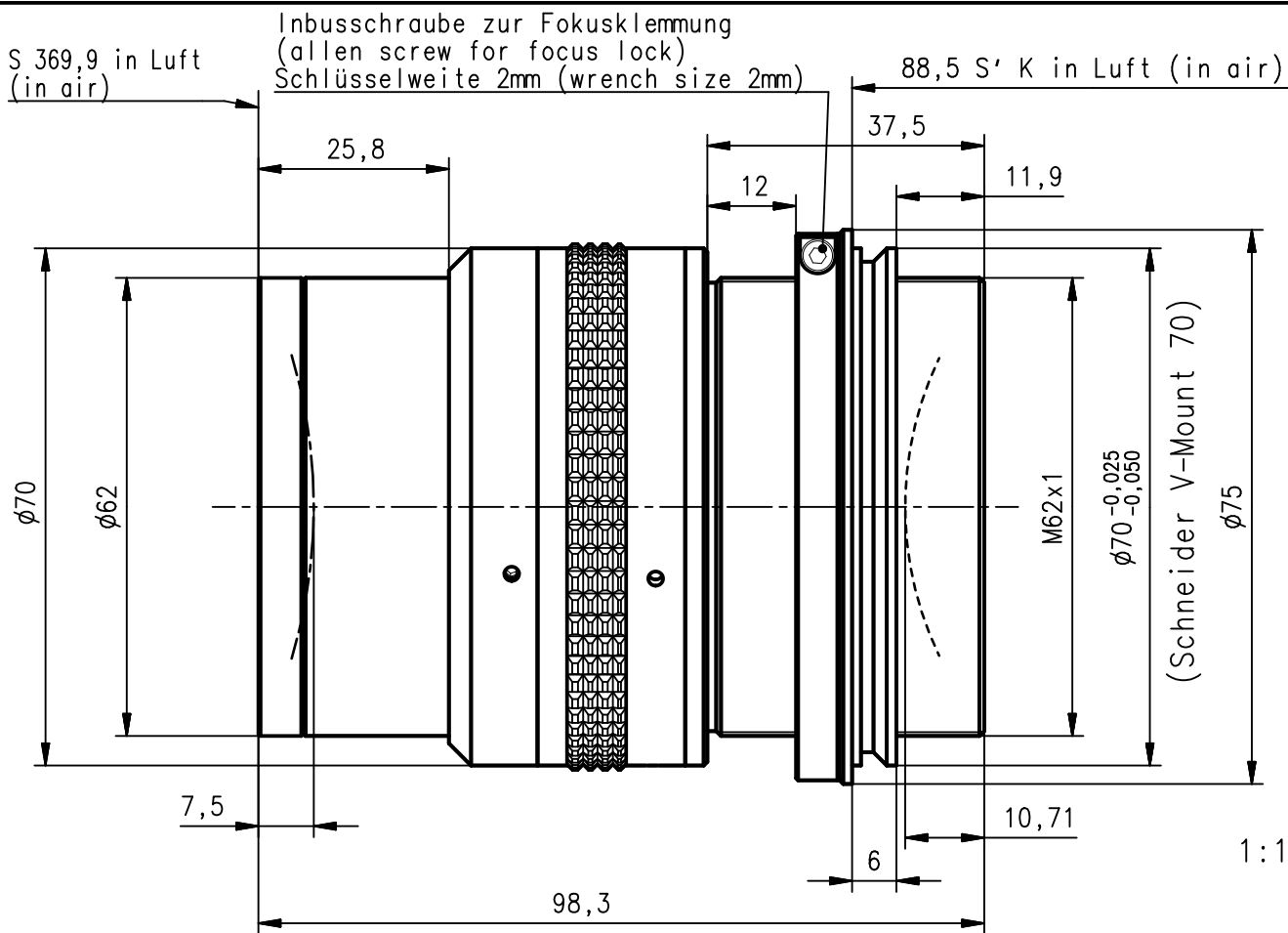


(CONFIDENTIAL)

(VERTRAULICH)

Schutzvermerk ISO 16016 beachten.
The reproduction, distribution and utilization of this document as well as the communication of its contents to others without explicit authorization is prohibited. Offenders will be held liable for the payment of damages. All rights reserved in the event of the grant of a patent, utility model or design.



Optische Grunddaten bei (optical Data at) Lambda = 546 nm

f'	95,5	s'_{AP}	-46,24	Blendenbereich (iris range)	3,7 - 8
$s'_{F'}$	53,65	β' Bereich (β' area)	-0,255...-0,33	Blendendurchmesser Nennwert (aperture diameter nominal)	$k=3,7$ 16,9
$s'_{H'}$	-41,87	β'_p ($\beta' = -0,29$)	1,05	Blendendurchmesser Optimum (aperture diameter optimum)	$k=4,4$ 14,2
HH'	-9,28	OO' ($\beta' = -0,29$)	538,96	Sonstige Angaben (other information)	
S_1S_k	80,09	s ($\beta' = -0,29$)	377,4	Schutzkappe vorn (front lens cap)	32454
s_{EP}	43,32	s'_k ($\beta' = -0,29$)	81,31	Schutzkappe hinten (rear lens cap)	32454
Bildkreis (image circle)			62,5	Gewicht (weight)	700g
Angaben ohne Einheiten in mm (all dimensions without unit in mm)				Bestell- Nr. (order-no.)	1071818

Datum (date) 25.10.2011

Nur zur Information (only for information)

Freigabe (release)	
R & D	<input checked="" type="checkbox"/>
Production	<input checked="" type="checkbox"/>
Sales	<input checked="" type="checkbox"/>
VT	<input checked="" type="checkbox"/>

XENON SAPPHIRE beta' = - 0,29x
XN 3,7/96-0001
 Jos. Schneider Optische Werke GmbH
 Ringstr. 132 55543 Bad Kreuznach
 Germany

