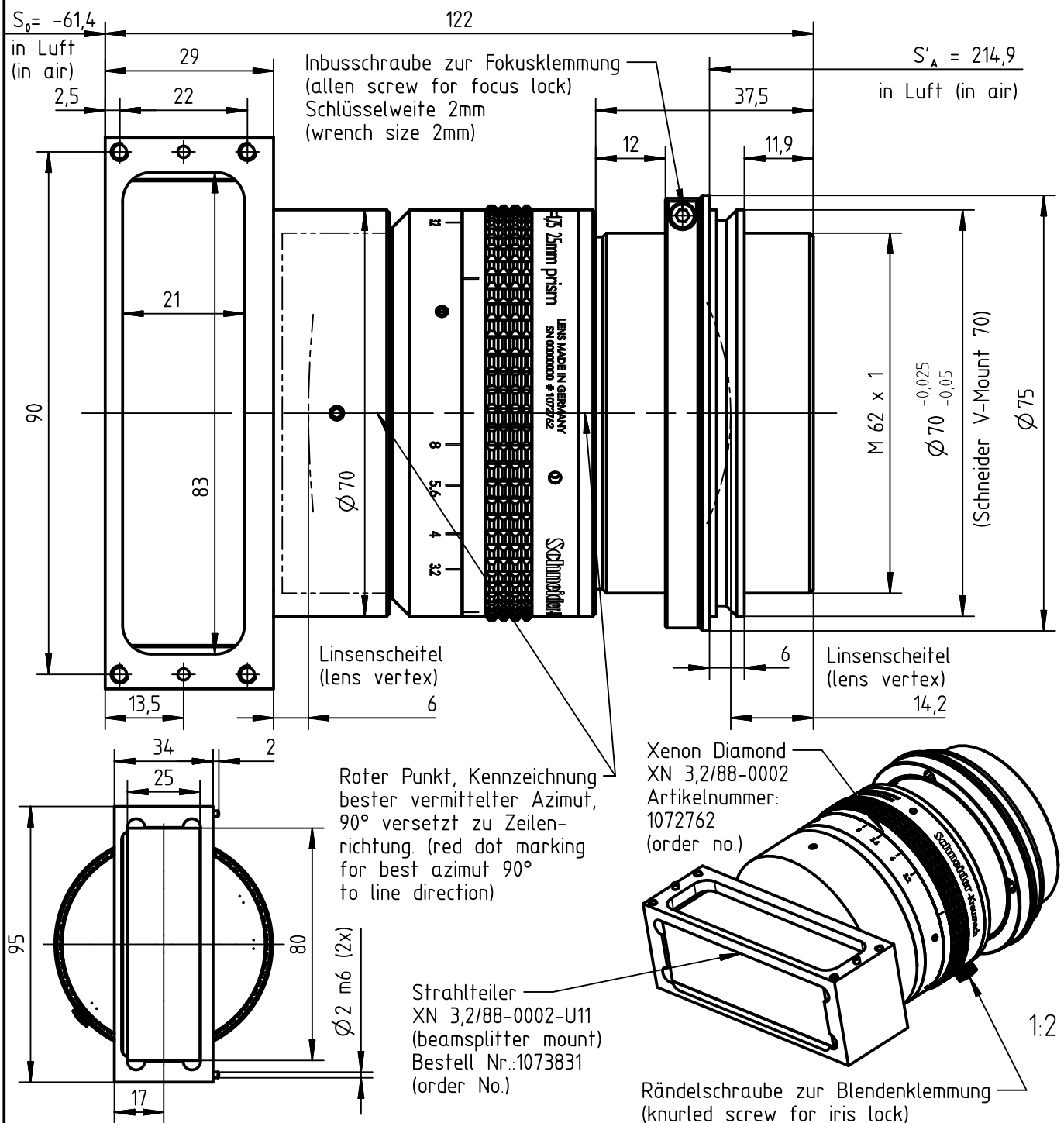


Schutzvermerk ISO 16016 beachten. The reproduction, distribution and utilization of this document as well as the communication of its contents to others without explicit authorization is prohibited. Offenders will be held liable for the payment of damages. All rights reserved in the event of the grant of a patent, utility model or design.



Optische Grunddaten bei (optical Data at) $\lambda = 546\text{nm}$ bei Einsatz eines Strahlteilers (assuming presence of BSP)

f'	88,2	s'_{AP}	-39,5	Blendenbereich (iris range)	3,2 - 8
$s'_{F'}$	57,1	β' Bereich (β' area)	1,65 - 1,85	Blendendurchmesser Nennwert (aperture diameter nominal)	$k=3,2$ 17,0
$s'_{H'}$	-31,0	β'_p ($\beta' = -1,75$)	1,10	Entspiegelung (coating)	400-1000 nm
HH'	-0,90	OO' ($\beta' = -1,75$)	380,4	Sonstige Angaben (other information)	
$S_1 S_k$	72,8	s ($\beta' = -1,75$)	96,4	Schutzkappe vorn (front lens cap)	-
s_{EP}	34,6	s'_k ($\beta' = -1,75$)	211,2	Schutzkappe hinten (rear lens cap)	30454
Bildkreis (image circle)			62,5	Gewicht (weight)	935.00 g
Angaben ohne Einheiten in mm (all dimensions without unit in mm)				Bestell- Nr. (order-no.)	1073347

Datum (date) 17.10.14

Nur zur Information (only for information)

Freigabe (release)

R & D	<input checked="" type="checkbox"/>
Production	<input checked="" type="checkbox"/>
Sales	<input checked="" type="checkbox"/>
VT	<input checked="" type="checkbox"/>

**XENON SAPPHIRE $\beta' = -1,75x$ with BSP
XN 3,2/88-0003**

Jos. Schneider Optische Werke GmbH
Ringstr. 132 55543 Bad Kreuznach
Germany

