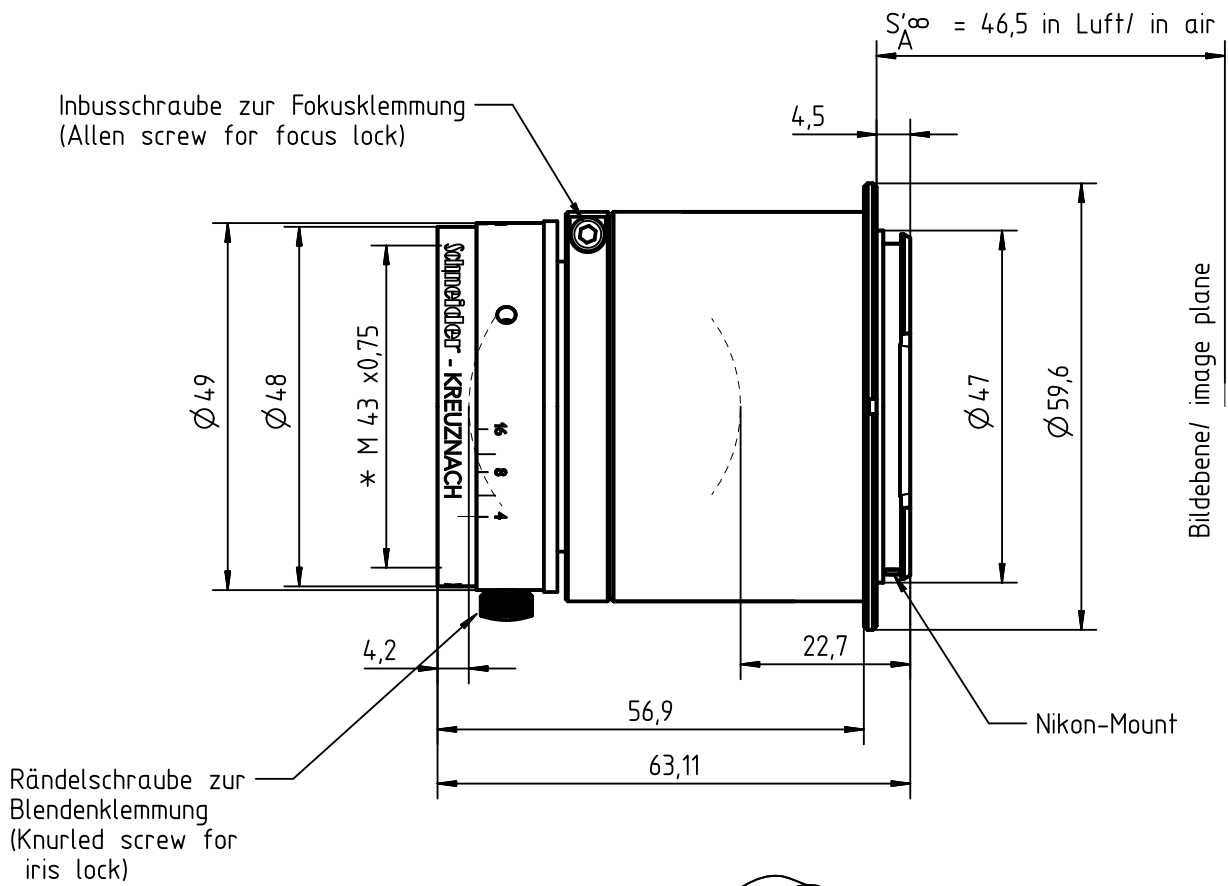


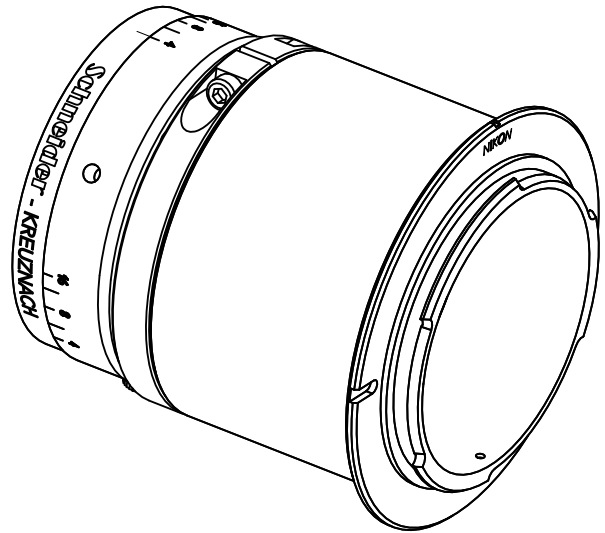
CONFIDENTIAL

VERTRAULICH

Schutzvermerk ISO 16016 beachten. The reproduction, distribution and utilization of this document as well as the communication of its contents to others without explicit authorization is prohibited. Offenders will be held liable for the payment of damages. All rights reserved in the event of the grant of a patent, utility model or design.



* = Filtergewinde (filter thread)



Optische Grunddaten (optical Data)

f'	80,34	s'_{AP}	-18,42	Blendenbereich (iris range)	4,0 - 16
s'_F	64,67	β' Bereich (β' area)	0 - -0,25	Blendendurchmesser Nennwert (aperture diameter nominal)	$k=4,0 \text{ } \varnothing 15$
s'_H	-15,67	β'_p ($\beta' = 0$)	1,03		
HH'	-1,81	$00'$ ($\beta' = 0$)	∞	Sonstige Angaben (other information)	
$S_1 S_k$	36,28	s ($\beta' = 0$)	∞	Schutzkappe vorn (front lens cap)	1009681
s_{EP}	19,76	s'_k ($\beta' = 0$)	64,65	Schutzkappe hinten (rear lens cap)	68865
Bildkreis (image circle)			60	Gewicht (weight)	450 g
Angaben ohne Einheiten in mm (all dimensions without unit in mm)				Bestell- Nr. (order-no.)	1085723

Datum (date) 14.10.15

Nur zur Information (only for information)

Freigabe (release)

R & D	<input checked="" type="checkbox"/>
Production	<input checked="" type="checkbox"/>
Sales	<input checked="" type="checkbox"/>
VT	<input checked="" type="checkbox"/>

**XENON-EMERALD 4,0/80-0043
with F-Mount Bayonet**

Jos. Schneider Optische Werke GmbH
Ringstr. 132 55543 Bad Kreuznach
Germany

