

This F-Mount lens is for large formats. A V48-Mount for more flexibility on request. Optimized for longer distances up to infinity. The low field of curvature makes the lens the ideal choice where a compact lens inquires large field of view. These robust lenses are ideal for factory automation as well as for scanning applications.

Key features

- F-Mount
- 43.2 mm image circle
- optimized for long working distances

Applications

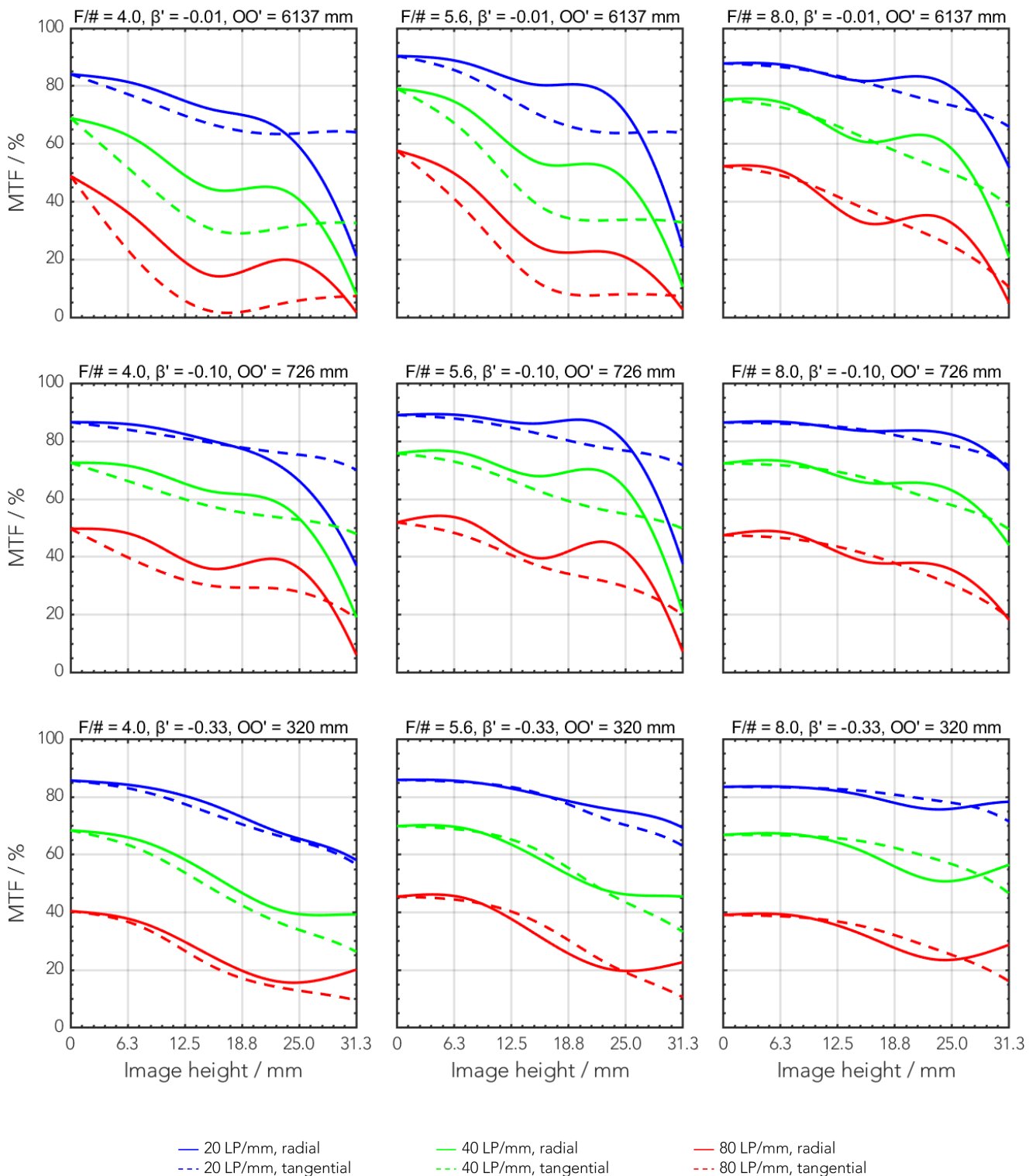
- Quality control
- Code reader
- Web inspection
- Factory automation

Technical specifications

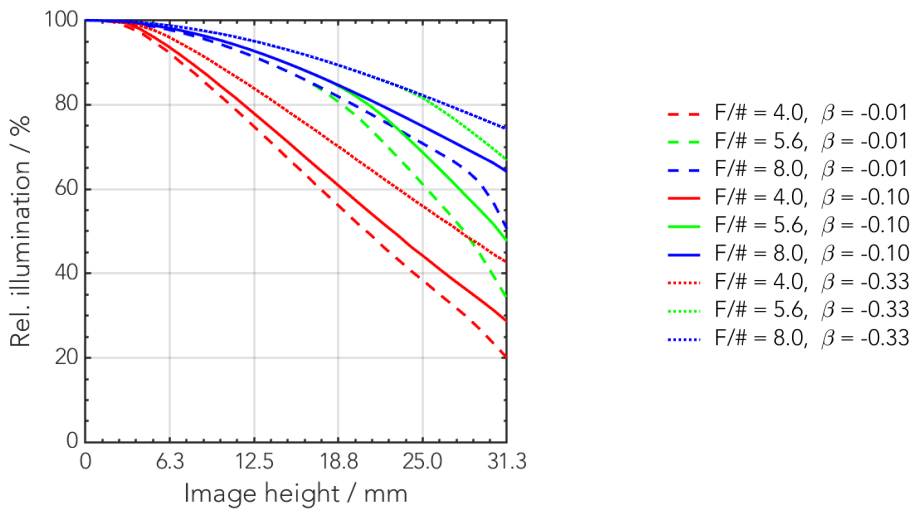
| | |
|--|--------------|
| Type [standard] | F |
| ID [standard] | 1085115 |
| Interface | F-Mount |
| Focal length [mm] | 60 |
| F/# range | F/4 ... F/16 |
| Numerical aperture [object image] | - 0.12 |
| Max. sensor size [mm] | 62.5 |
| Max. angle of view [°] | 55 |
| Rec. magnification range | -0.33 ... 0 |
| Rec. working distance range [mm] | 230 ... ∞ |
| Min. working distance without extension tubes [mm] | 217 |
| Filter thread [mm] | M43 x 0.75 |
| Storage temperature [°C] | -25 ... +70 |
| Net. weight [g] | 262 |
| Additional info | - |
| f'eff [mm] | 60.07 |
| SF [mm] | -47.23 |
| S'F' [mm] | 40.93 |
| HH' [mm] | -1.89 |
| β'P | 0.97 |
| SEP [mm] | 14.64 |
| S'AP [mm] | -17.39 |
| Σd [mm] | 30.09 |

MTF charts

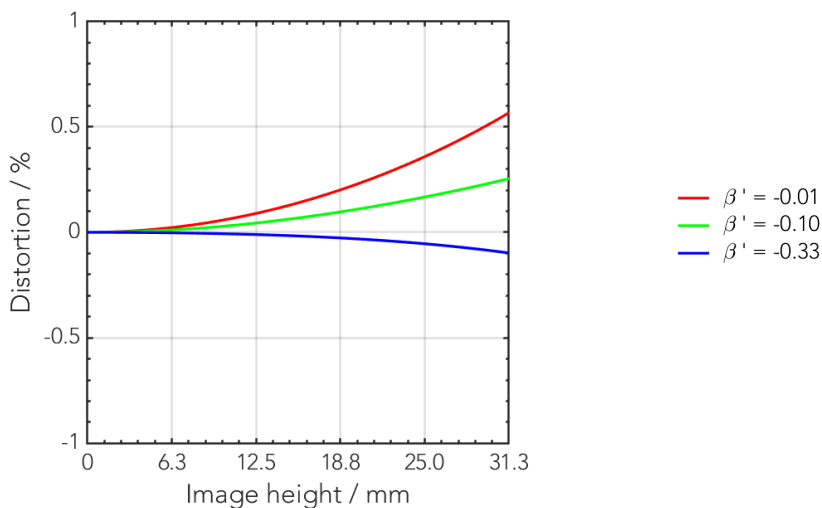
| Spectrum name | VIS | | | | | |
|------------------|-----|-----|-----|-----|-----|-----|
| Wavelengths [nm] | 425 | 475 | 525 | 575 | 625 | 675 |
| Rel. weights [%] | 8 | 16 | 23 | 22 | 19 | 13 |



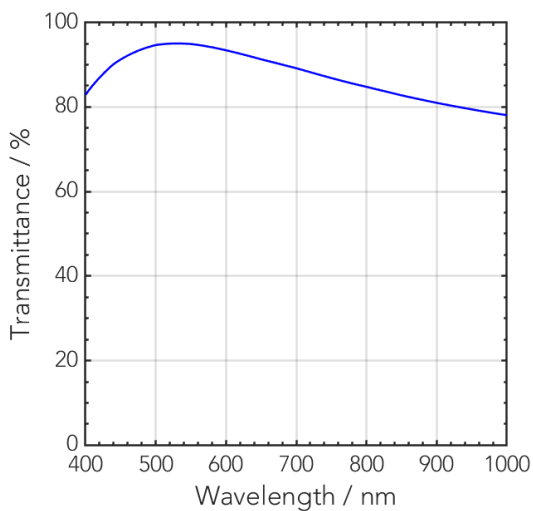
Rel. illumination vs. image height



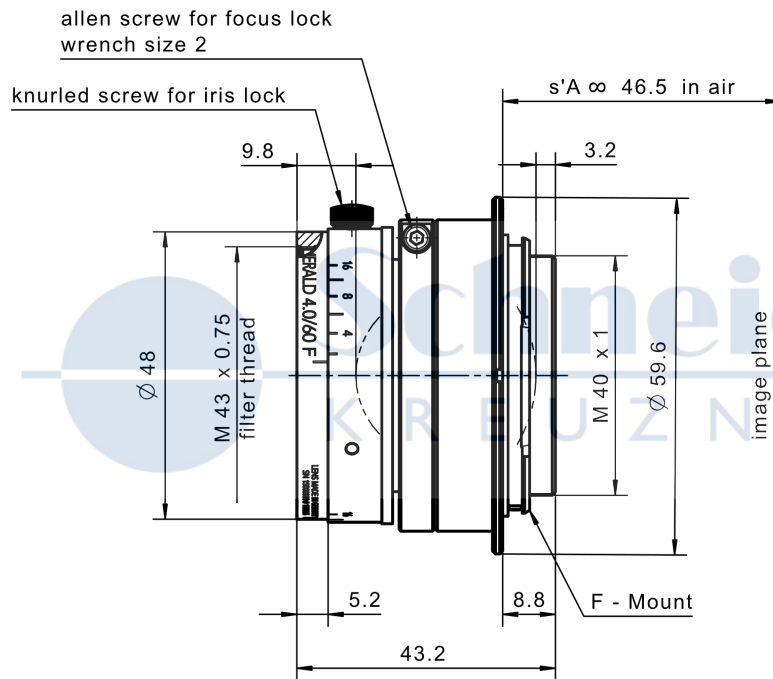
Distortion vs. image height



Transmittance vs. wavelength



Technical drawings



| Annotation | |
|------------------------------|---|
| Focal length | Nominal focal length |
| F/# range | Image space F-number range for infinity focus position |
| Numerical aperture | Maximum real numerical aperture (depending on recommended magnification range either for infinity or respective fixed magnification) |
| Max. sensor size | Image circle diameter |
| Max. angle of view | Angle of view associated with maximum sensor size (depending on recommended magnification range either for infinity or respective fixed magnification) |
| Rec. magnification range | Magnification range as recommended by Schneider-Kreuznach |
| Rec. working distance range | Working distance, i.e. distance between object and first mechanical element, associated with recommended magnification range |
| Max. mechanical focus travel | Maximum possible movement of the lens from infinity position (depending on recommended magnification range either for infinity or respective fixed magnification) |
| Net weight | weight of unpacked lens without lens cap |
| f'_{eff} | Effective focal length |
| SF | Distance between vertex of first lens surface and object space focal point |
| S'F' | Distance between vertex of last lens surface and image space focal point (back focal distance at infinity) |
| HH' | Distance between principal planes |
| $\beta'P$ | Pupil magnification (= exit pupil diameter / entrance pupil diameter) |
| SEP | Distance between vertex of first lens surface and entrance pupil |
| S'AP | Distance between vertex of last lens surface and exit pupil |
| Σd | Distance between vertices of first and last lens surface |
| s'A | Flange focal distance (in air) for infinite object distance (depending on recommended magnification range either for infinity or respective fixed magnification) |
| β' | Magnification (= image size / object size), negative value because image is inverted |
| OO' | Distance between object and image |

Unless otherwise stated all dimensions in this data sheet are in mm.

Headquarters Europe

Jos. Schneider Optische Werke GmbH

Ringstraße 132

55543 Bad Kreuznach

☎ +49 671 601 205

✉ cs@schneiderkreuznach.com

www.schneiderkreuznach.com

Offices Worldwide

America

☎ +1 800 645 7239 (East Coast)

☎ +1 800 228 1254 (West Coast)

✉ info@schneideroptics.com

Asia

☎ +86 755 8832 1170

✉ info@schneider-asiapacific.com