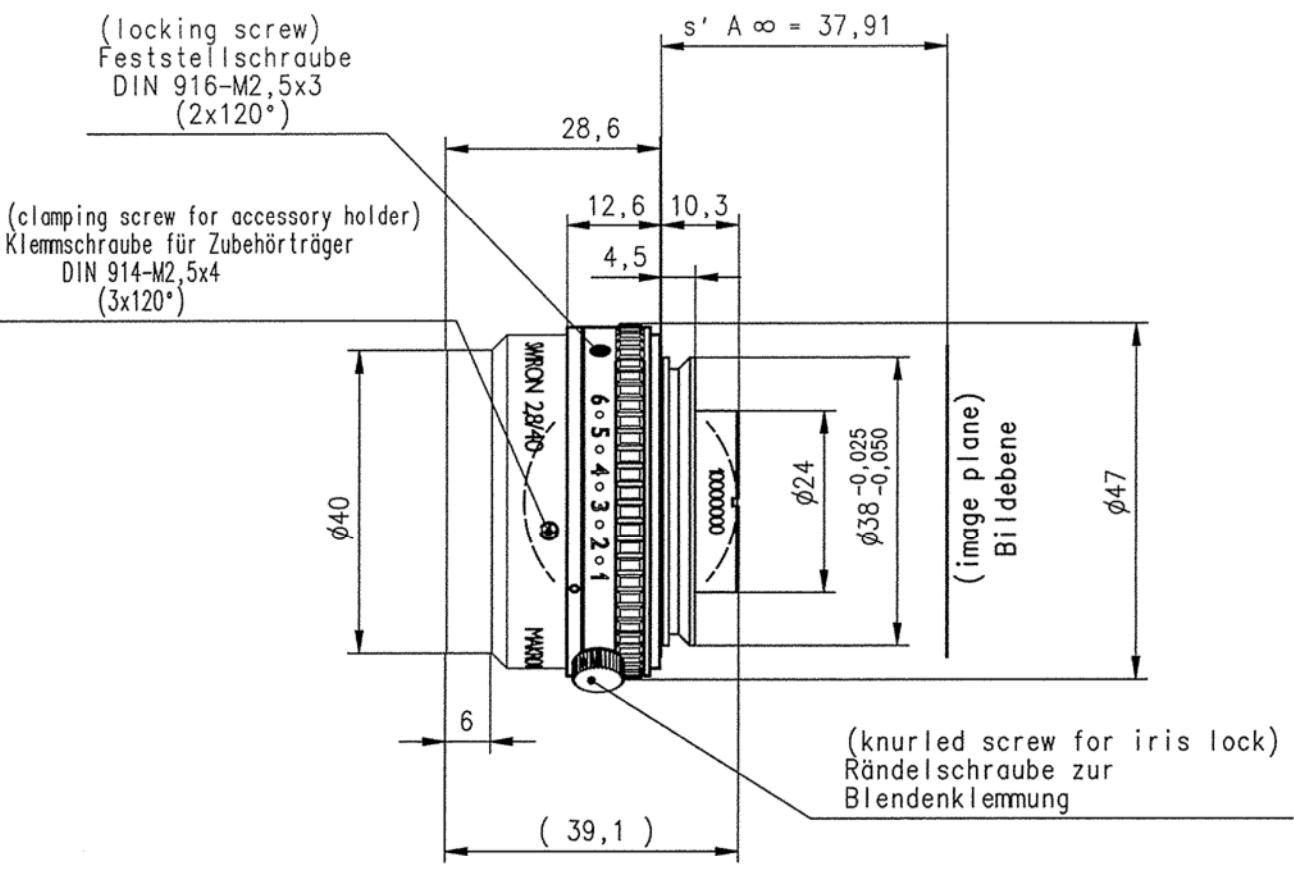


(CONFIDENTIAL)

(VERTRAULICH)

Schutzvermerk ISO 16016 beachten. The reproduction, distribution and utilization of this document as well as the communication of its contents to others without explicit authorization is prohibited. Offenders will be held liable for the payment of damages. All rights reserved in the event of the grant of a patent, utility model or design.



1:1



Optische Grunddaten (optical Data)

f'	41,997	s'_{AP}	-15,723	Blendenbereich (iris range)	2,8-16
$s'_{F'}$	28,338	β' Bereich (β' area)	-	Blendendurchmesser Nennwert (aperture diameter nominal)	2,96-9,66
$s'_{H'}$	-13,66	β'_p ($\beta' = 0$)	1,05		
HH'	-2,175	$00'$ ($\beta' = 0$)	∞	Sonstige Angaben (other information)	
$S_1 S_k$	28,474	s ($\beta' = 0$)	∞	Schutzkappe vorn (front lens cap)	32267
s_{EP}	15,023	s'_k ($\beta' = 0$)	28,338	Schutzkappe hinten (rear lens cap)	20050
Bildkreis (image circle)			$\phi 22$	Gewicht (weight)	108
Angaben ohne Einheiten in mm (all dimensions without unit in mm)				Bestell-Nr. (order-no.)	1063164

Datum (date) 15.02.11

Nur zur Information (only for information)

Freigabe (release)	
R & D	<input checked="" type="checkbox"/>
Production	<input checked="" type="checkbox"/>
Sales	<input checked="" type="checkbox"/>
VT	<input checked="" type="checkbox"/>

SWIRON 2,8/40-0015
in BK Makro Blendenkörper

Jos. Schneider Optische Werke GmbH
Ringstr. 132 55543 Bad Kreuznach
Germany

