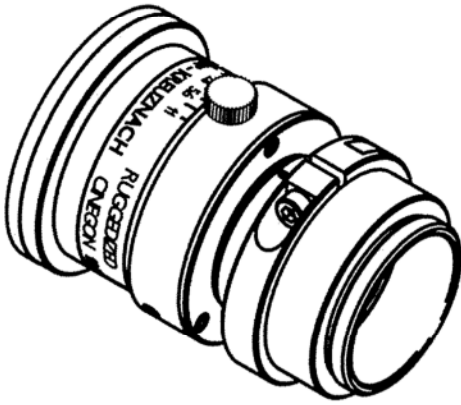
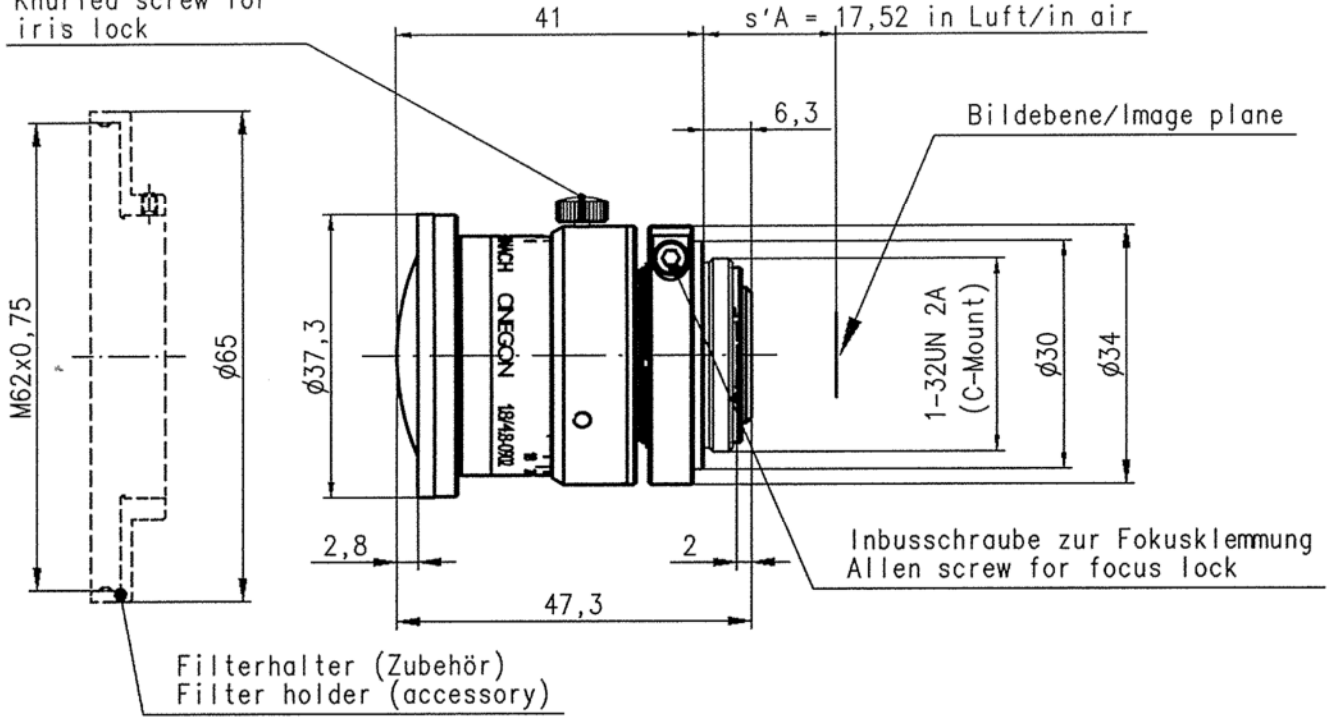


(CONFIDENTIAL)

(VERTRAULICH)

Schutzvermerk ISO 16016 beachten.
The reproduction, distribution and utilization of this document as well as the communication of its contents to others without explicit authorization is prohibited. Offenders will be held liable for the payment of damages. All rights reserved in the event of the grant of a patent, utility model or design.

Rändelschraube zur
Blendenklemmung
Knurled screw for
iris lock



Optische Grunddaten (optical Data)

f'	4,98	s'_{AP}	-19,87	empf. Bildformat (Size of image, recommended)	6,6x8,8
$s'_{f'}$	13,18	$\beta'_p (\beta' = 0)$	6,64	Bildkreis (Image circle)	11
$s'_{H'}$	8,20	$\infty' (\beta' = 0)$	∞	Blendenbereich (Iris range)	1.8-11
HH'	35,36	$s (\beta' = 0)$	∞	Linsenschutz mit Filtergewinde (Lens hood with filterthreading)	M62x0,75 14604
$S_1 S_k$	45,33	$s'_k (\beta' = 0)$	13,18	Gewicht (Weight)	90g
s_{EP}	13,94	Blende (iris) $\phi k=1,8$	7,7	Blendenkörper (Iris Mount)	30346
Angaben ohne Einheiten in mm (all dimensions without unit in mm)				Schutzkappe vorn (Front Lens Cap)	30422
				Schutzkappe hinten (Rear Lens Cap)	

Datum (date) 1.9.10

Nur zur Information (only for information)

Freigabe (release)

Objektiv (Lens)

Bestell-Nr. (Order-No.)

R & D

CINEGON 1.8/4.8-0902

1001955

Production

CINEGON 1.8/4.8-0912 RUGGEDIZED

1058930

Sales

Jos. Schneider Optische Werke GmbH
Ringstr. 132 55543 Bad Kreuznach
Germany



VT