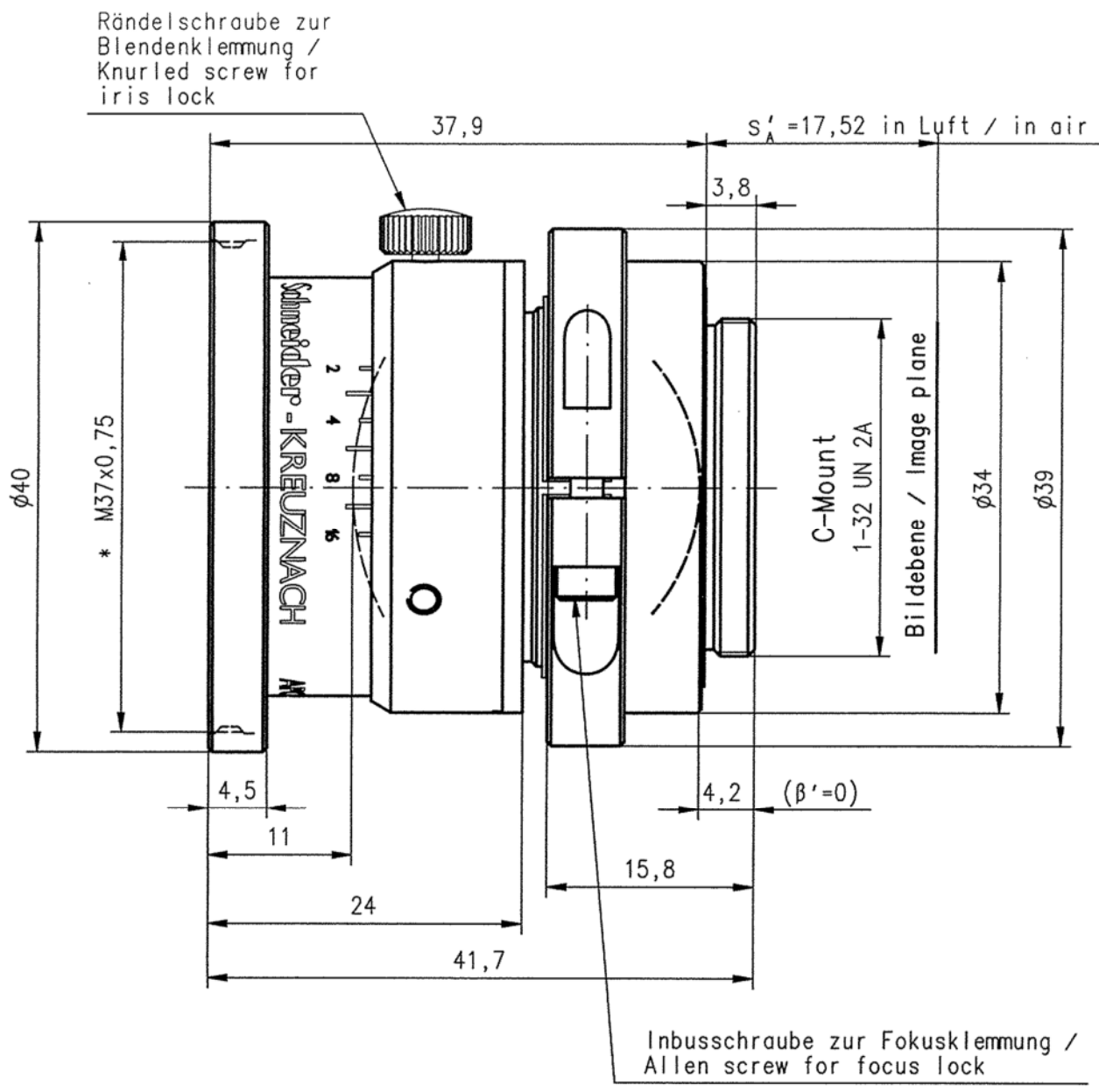


(CONFIDENTIAL)

(VERTRAULICH)

Schutzvermerk ISO 16016 beachten.

The reproduction, distribution and utilization of this document as well as the communication of its contents to others without explicit authorization is prohibited. Offenders will be held liable for the payment of damages. All rights reserved in the event of the grant of a patent, utility model or design.



* Filtergewinde (filter thread)

Optische Grunddaten (optical Data)

f'	24,508	s'_{AP}	-29,769	Blendenbereich (iris range)	2 - 16
$s'_{F'}$	17,728	β' Bereich (β' area)	0 - (-0,09)	Blendendurchmesser Nennwert (aperture diameter nominal)	7,8
$s'_{H'}$	-6,781	β'_p ($\beta'=-0,05$)	1,938		
HH'	-5,730	$00'$ ($\beta'=-0,05$)	534,674	Sonstige Angaben (other information)	
$S_1 S_k$	26,42	s_1 ($\beta'=-0,05$)	-489,301	Schutzkappe vorn (front lens cap)	30370
s_{EP}	13,507	s'_k ($\beta'=-0,05$)	18,953	Schutzkappe hinten (rear lens cap)	30422
Bildkreis (image circle)			24	Gewicht (weight)	120 g
Angaben ohne Einheiten in mm (all dimensions without unit in mm)				Bestell-Nr. (order-no.)	1071371

Datum (date) Nur zur Information (only for information)

Freigabe (release)	
R & D	<input checked="" type="checkbox"/>
Production	<input checked="" type="checkbox"/>
Sales	<input checked="" type="checkbox"/>
VT	<input checked="" type="checkbox"/>

Apo-Xenoplan 2,0/24-0005

Jos. Schneider Optische Werke GmbH
Ringstr. 132 55543 Bad Kreuznach
Germany

