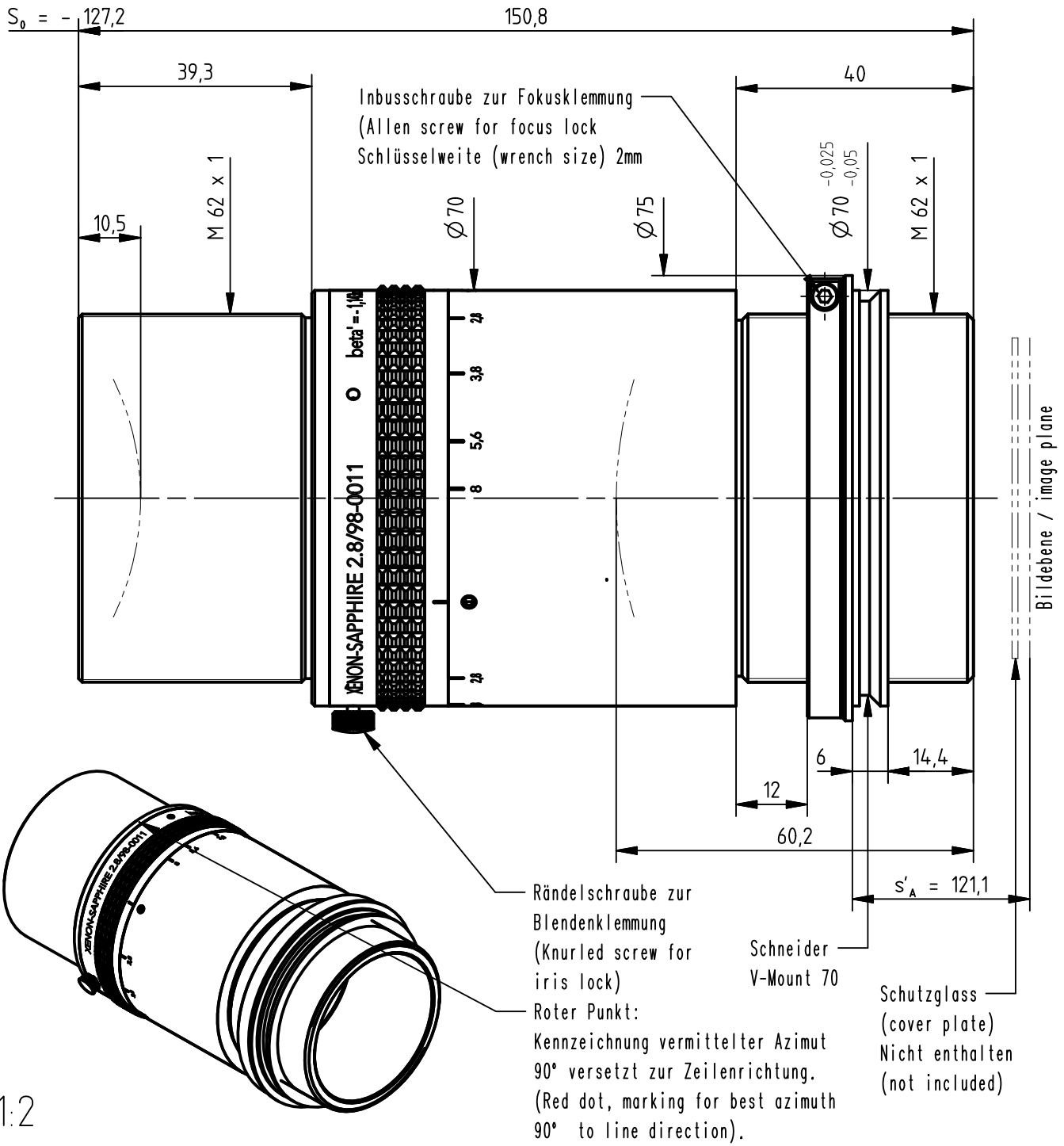


CONFIDENTIAL

VERTRAULICH

Schutzvermerk ISO 16016 beachten. The reproduction, distribution and utilization of this document as well as the communication of its contents to others without explicit authorization is prohibited. Offenders will be held liable for the payment of damages. All rights reserved in the event of the grant of a patent, utility model or design.



1:2

Optische Grunddaten (optical Data) Lambda = 546 nm

f'	97,5	s'_{AP}	-44.4	Blendenbereich (iris range)	2.8 - 8
$s'_{F'}$	49.7	β' Bereich (β' area)	-1.08 -1.20	Blendendurchmesser Nennwert (aperture diameter nominal)	$k=2.8$ 21.8
$s'_{H'}$	-47.8	β'_p ($\beta' = 1,143$)	0.96		
HH'	-12.9	OO' ($\beta' = 1,143$)	378.7	Sonstige Angaben (other information)	
$S_1 S_k$	80.13	s ($\beta' = 1,143$)	-137.7	Schutzkappe vorn (front lens cap)	32454
s_{EP}	48.8	s'_k ($\beta' = 1,143$)	160.9	Schutzkappe hinten (rear lens cap)	32454
Bildkreis (image circle)			62.5	Gewicht (weight)	750g
Angaben ohne Einheiten in mm (all dimensions without unit in mm)				Bestell- Nr. (order-no.)	1076453

Datum (date) 12.01.16 Nur zur Information (only for information)

Freigabe (release)	XENON SAPPHIRE 2,8/98-0011		
R & D	<input checked="" type="checkbox"/>	beta' = - 1,143x	
Production	<input checked="" type="checkbox"/>	Jos. Schneider Optische Werke GmbH	
Sales	<input checked="" type="checkbox"/>	Ringstr. 132 55543 Bad Kreuznach	
VT	<input checked="" type="checkbox"/>	Germany	