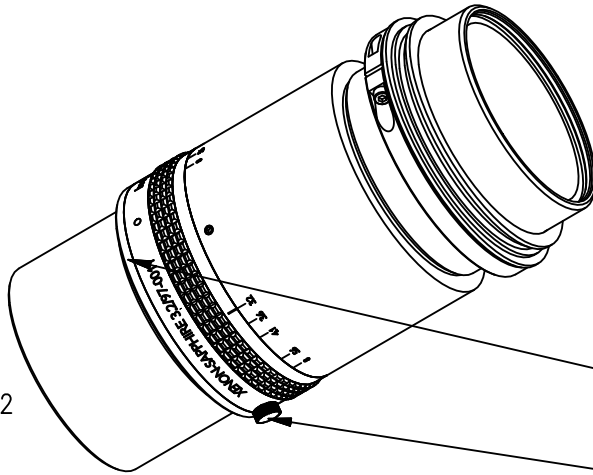
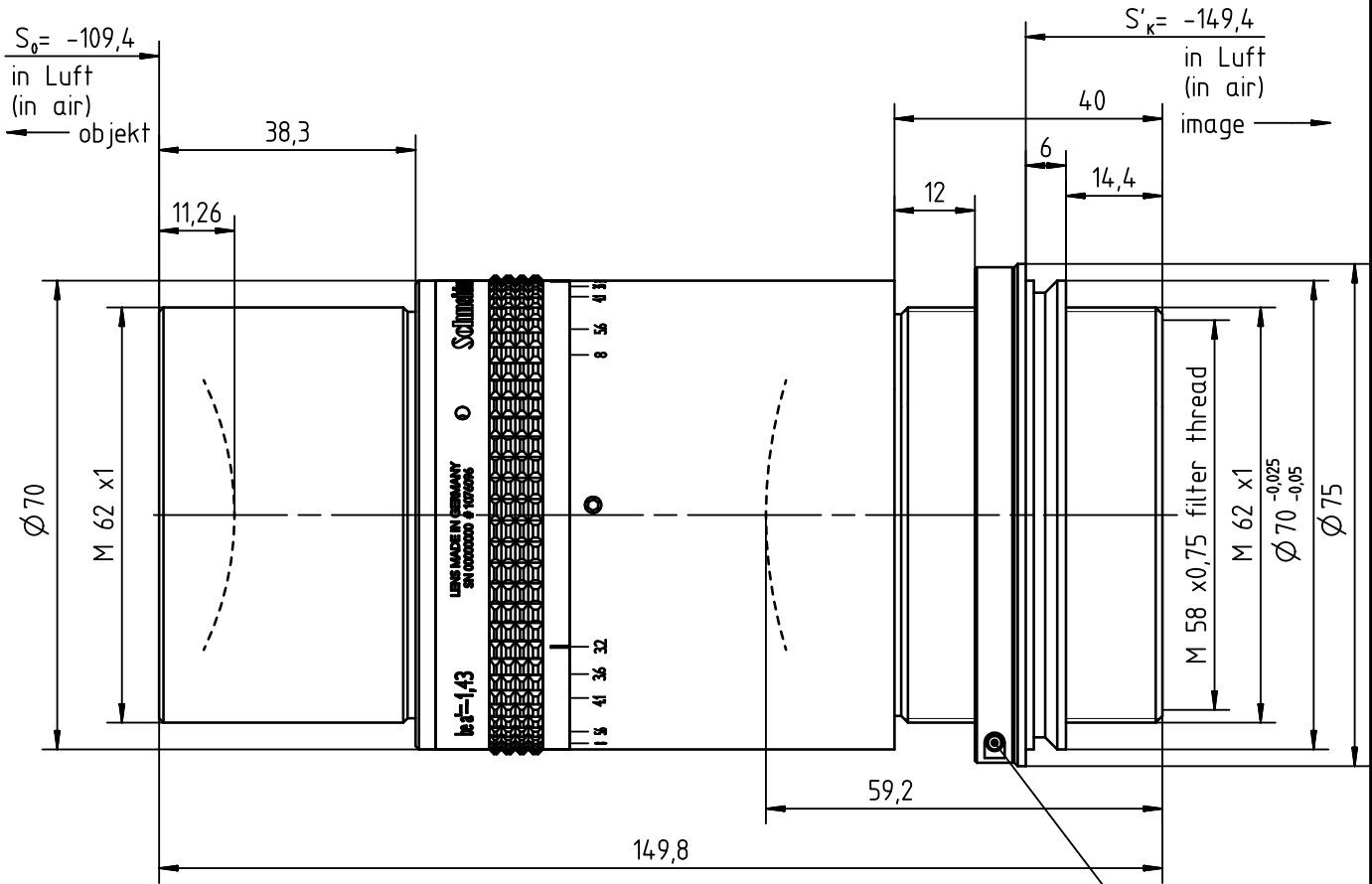


CONFIDENTIAL

VERTRAULICH

Schutzvermerk ISO 16016 beachten. The reproduction, distribution and utilization of this document as well as the communication of its contents to others without explicit authorization is prohibited. Offenders will be held liable for the payment of damages. All rights reserved in the event of the grant of a patent, utility model or design.



Inbusschraube zur Fokusklemmung
(allen screw for focus lock)
Schlüsselweite 2mm (wrench size 2mm)

roter Punkt, Kennzeichnung
bester vermittelt Azimut,
90° versetzt zu Zeilenrichtung

red dot marking for best azimuth
90° to line direction

Rändelschraube zur Blendenklemmung
(knurled screw for iris lock)

Optische Grunddaten bei (optical Data at) Lambda = 546 nm

f'	97	s'_{AP}	-44,9	Blendenbereich (iris range)	3,2-11,3
$s'_{F'}$	49,6	β' Bereich (β' area)	-1,43	Blendendurchmesser Nennwert (aperture diameter nominal)	$k=3,2$ 19,2
$s'_{H'}$	-47,4	β'_p ($\beta' = -1,43$)	0,97	Entspiegelung (coating)	400-1000nm
HH'	-12,3	OO' ($\beta' = -1,43$)	388,3	Sonstige Angaben (other information)	
$S_1 S_k$	79,3	s ($\beta' = -1,43$)	120,6	Schutzkappe vorn (front lens cap)	32454
s_{EP}	46,8	s'_k ($\beta' = -1,43$)	188,2	Schutzkappe hinten (rear lens cap)	32454
Bildkreis (image circle)			62,5	Gewicht (weight)	840 g
Angaben ohne Einheiten in mm (all dimensions without unit in mm)				Bestell- Nr. (order-no.)	1076096

Datum (date) 26.11.13

Nur zur Information (only for information)

Freigabe (release)

R & D	<input checked="" type="checkbox"/>
Production	<input checked="" type="checkbox"/>
Sales	<input checked="" type="checkbox"/>
VT	<input checked="" type="checkbox"/>

XENON SAPPHIRE beta' = -1,43x
XN 3,2/97-0011

Jos. Schneider Optische Werke GmbH
Ringstr. 132 55543 Bad Kreuznach
Germany

