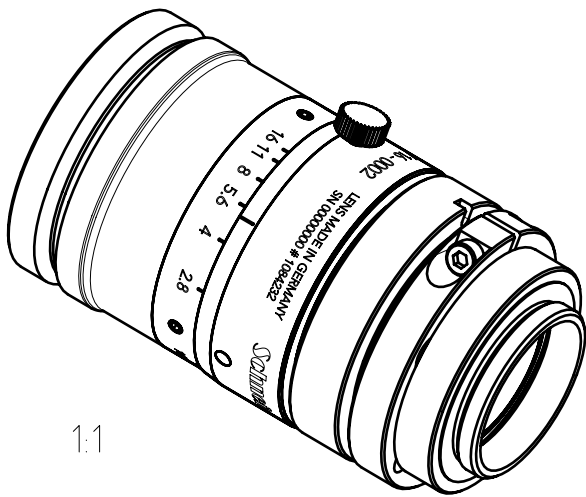
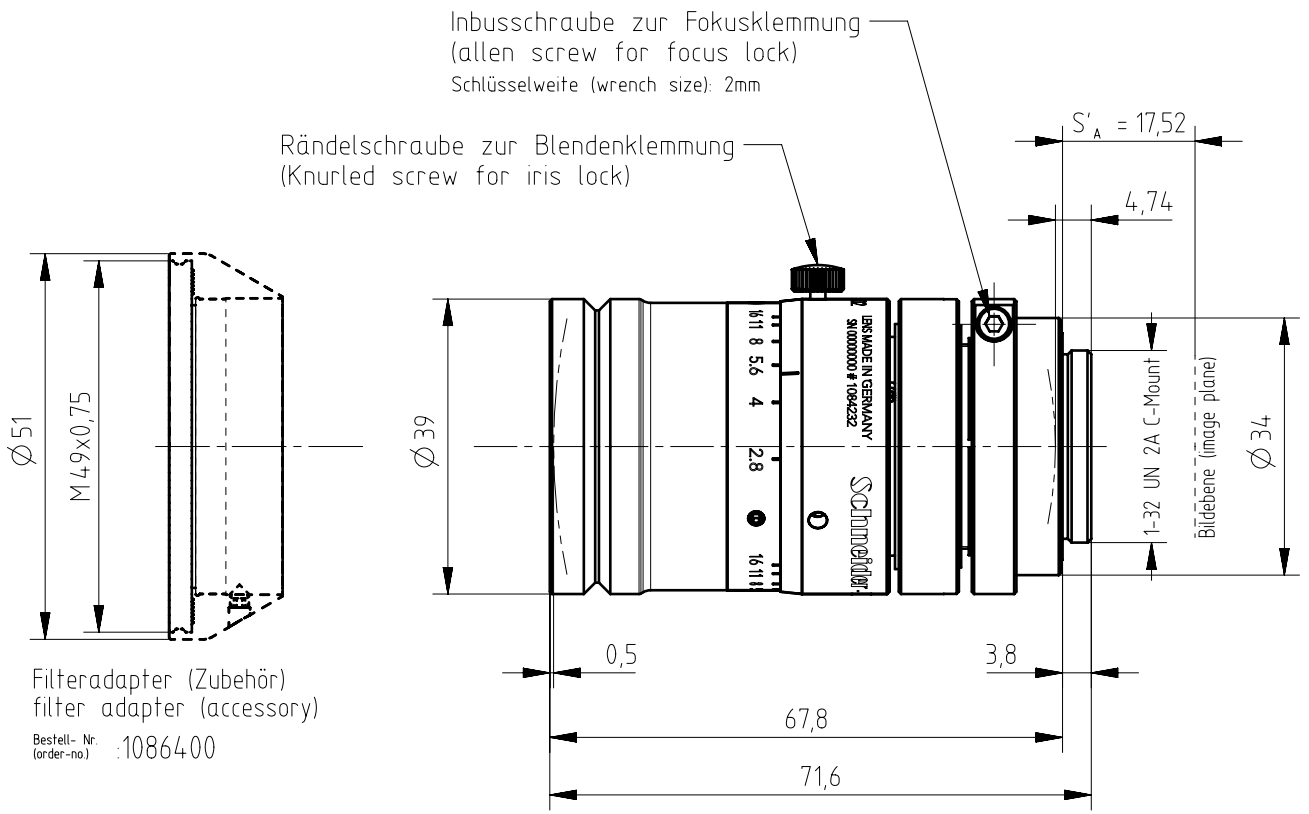


Schutzvermerk ISO 16016 beachten. The reproduction, distribution and utilization of this document as well as the communication of its contents to others without explicit authorization is prohibited. Offenders will be held liable for the payment of damages. All rights reserved in the event of the grant of a patent, utility model or design.



**Optische Grunddaten (optical data)**

$f'$	16.37	$s'_{AP}$	-37.89	Blendenbereich (iris range)	2.8 - 16
$s'_{F'}$	18.19	$\beta'_P$	0-(0,1)	Blendendurchmesser Nennwert (aperture diameter nominal)	10,1
$s'_{H'}$	1.82	$\beta'$ Bereich ( $\beta'$ area)	3.43	Entspiegelung (coating)	400-1000 nm
HH'	38.67	00' ( $\beta' = -0,02$ )	884.83	<b>Sonstige Angaben (other information)</b>	
$S_1 S_k$	66.36	s ( $\beta' = -0,02$ )	-800	Schutzkappe vorn (front lens cap)	32267
$S_{EP}$	17.92	$s'_k$ ( $\beta' = -0,02$ )	18.46	Schutzkappe hinten (rear lens cap)	30339
Bildkreis (image circle)			24.0	Gewicht (weight)	204.00 g
Angaben ohne Einheiten in mm (all dimensions without unit in mm)				Bestell-Nr. (order-no.)	1084232

Datum (date) 08.07.16

Nur zur Information (only for information)

**Freigabe (release)**

R & D	<input checked="" type="checkbox"/>
Production	<input checked="" type="checkbox"/>
Sales	<input checked="" type="checkbox"/>
VT	<input checked="" type="checkbox"/>

**APO-XENOPLAN 2,8/16mm ohne Filter**  
**XNP 2.8/16-0002**

Jos. Schneider Optische Werke GmbH  
 Ringstr. 132 55543 Bad Kreuznach  
 Germany

