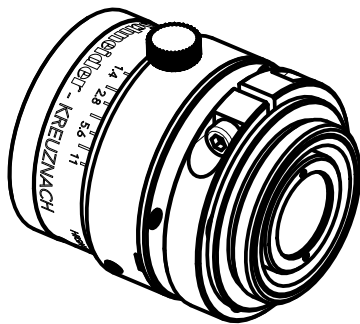
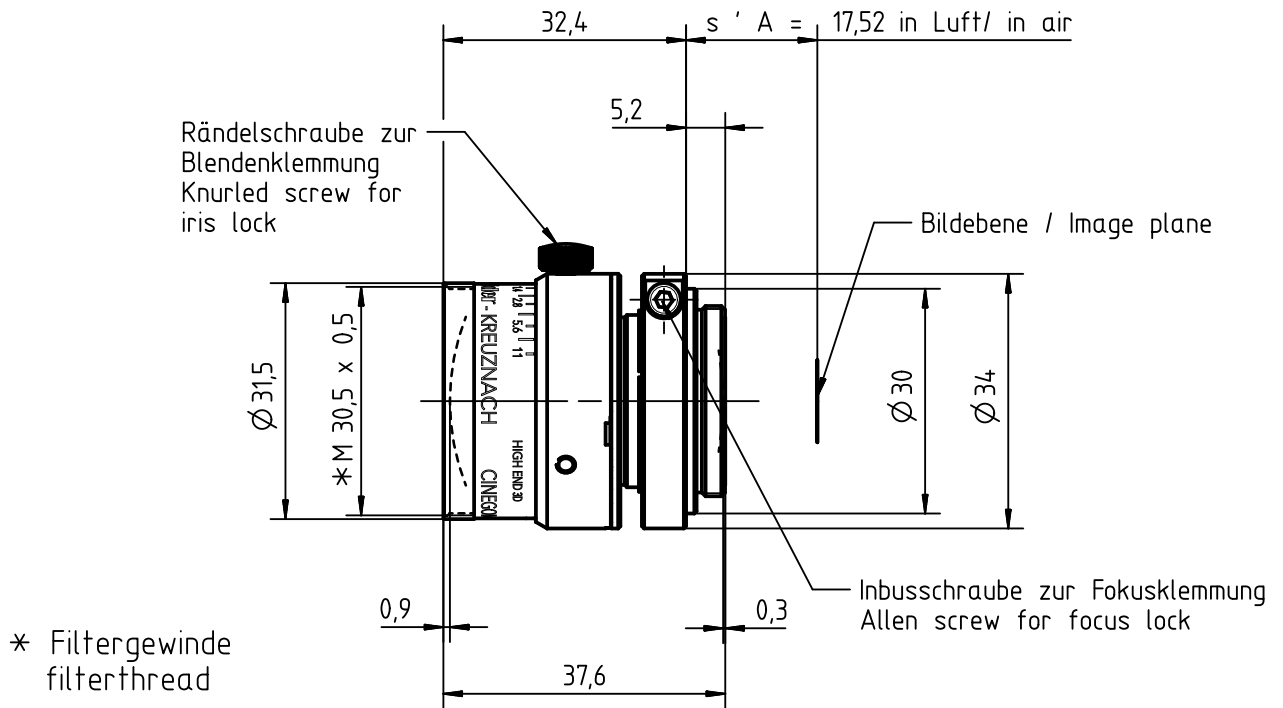


Schutzvermerk ISO 16016 beachten. The reproduction, distribution and utilization of this document as well as the communication of its contents to others without explicit authorization is prohibited. Offenders will be held liable for the payment of damages. All rights reserved in the event of the grant of a patent, utility model or design.



Objektiv (Lens)	Bestell-Nr. (Order-No.)
CINEGON 1.4/8-0902	1001919
CINEGON 1.4/8-0906 HIGH END 3D	1068951
CINEGON 1.4/8-0912 RUGGEDIZED	1062858

Optische Grunddaten (optical Data)

f'	8,25	s'_{AP}	-27,00	Blendenbereich (iris range)	1,4-11
$s'_{F'}$	12,57	β' Bereich (β' area)	0-(-0,5)	Blenden \varnothing Nennwert (aperture diameter nominal)	11,4
$s'_{H'}$	4,32	β'_p ($\beta' = 0$)	4,64		
HH'	20,84	$00'$ ($\beta' = 0$)	∞	Sonstige Angaben (other information)	
$S_1 S_k$	36,48	s ($\beta' = 0$)	∞	Schutzkappe vorn (front lens cap)	30373
s_{EP}	13,43	s'_k ($\beta' = 0$)	12,57	Schutzkappe hinten (rear lens cap)	30422
Bildkreis (image circle)			11	Gewicht (weight)	90g
Angaben ohne Einheiten in mm (all dimensions without unit in mm)				Bestell- Nr. (order-no.)	see chart

Datum (date) 10.12.13

Nur zur Information (only for information)

Freigabe (release)

R & D	<input checked="" type="checkbox"/>
Production	<input checked="" type="checkbox"/>
Sales	<input checked="" type="checkbox"/>
VT	<input checked="" type="checkbox"/>

see chart

Jos. Schneider Optische Werke GmbH
 Ringstr. 132 55543 Bad Kreuznach
 Germany

