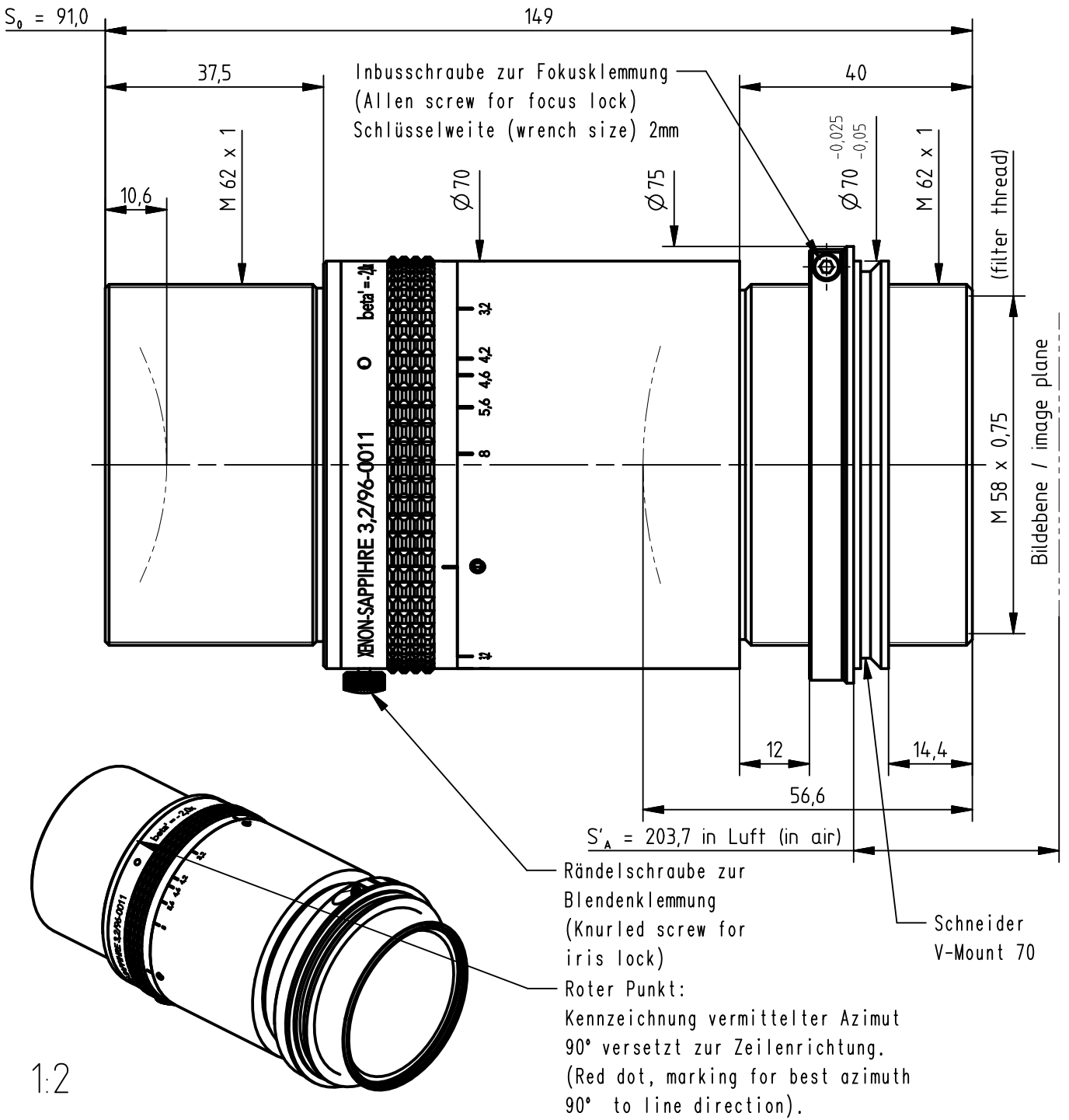


CONFIDENTIAL

VERTRAULICH

Schutzvermerk ISO 16016 beachten. The reproduction, distribution and utilization of this document as well as the communication of its contents to others without explicit authorization is prohibited. Offenders will be held liable for the payment of damages. All rights reserved in the event of the grant of a patent, utility model or design.



**Optische Grunddaten bei (optical Data at)  $\lambda = 546 \text{ nm}$**

$f'$	96,2	$s'_{AP}$	-47,1	Blendenbereich (iris range)	3,2 - 8
$s'_F$	47,3	$\beta'$ Bereich ( $\beta'$ area)	- 2,0x	Blendendurchmesser Nennwert (aperture diameter nominal)	$k=3,2$ 19,3
$s'_H$	-48,9	$\beta'_p$ ( $\beta' = 2,0$ )	1,02	Blendendurchmesser Optimal (aperture diameter optimal)	$k=4,2$ 14,7
HH'	-9,8	OO' ( $\beta' = 2,0$ )	423,3	<b>Sonstige Angaben (other information)</b>	
$S_1 S_k$	81,8	s ( $\beta' = 2,0$ )	101,6	Schutzkappe vorn (front lens cap)	32454
$s_{EP}$	44,6	$s'_k$ ( $\beta' = 2,0$ )	239,9	Schutzkappe hinten (rear lens cap)	32454
Bildkreis (image circle)			62,5	Gewicht (weight)	840g
Angaben ohne Einheiten in mm (all dimensions without unit in mm)				Bestell- Nr. (order-no.)	1076451

Datum (date) 18.06.13

Nur zur Information (only for information)

<b>Freigabe (release)</b>	
R & D	<input checked="" type="checkbox"/>
Production	<input checked="" type="checkbox"/>
Sales	<input checked="" type="checkbox"/>
VT	<input checked="" type="checkbox"/>

**XENON SAPPHIRE  $\beta' = -2,0$   
XN 3,2/96-0011**

Jos. Schneider Optische Werke GmbH  
Ringstr. 132 55543 Bad Kreuznach  
Germany

