

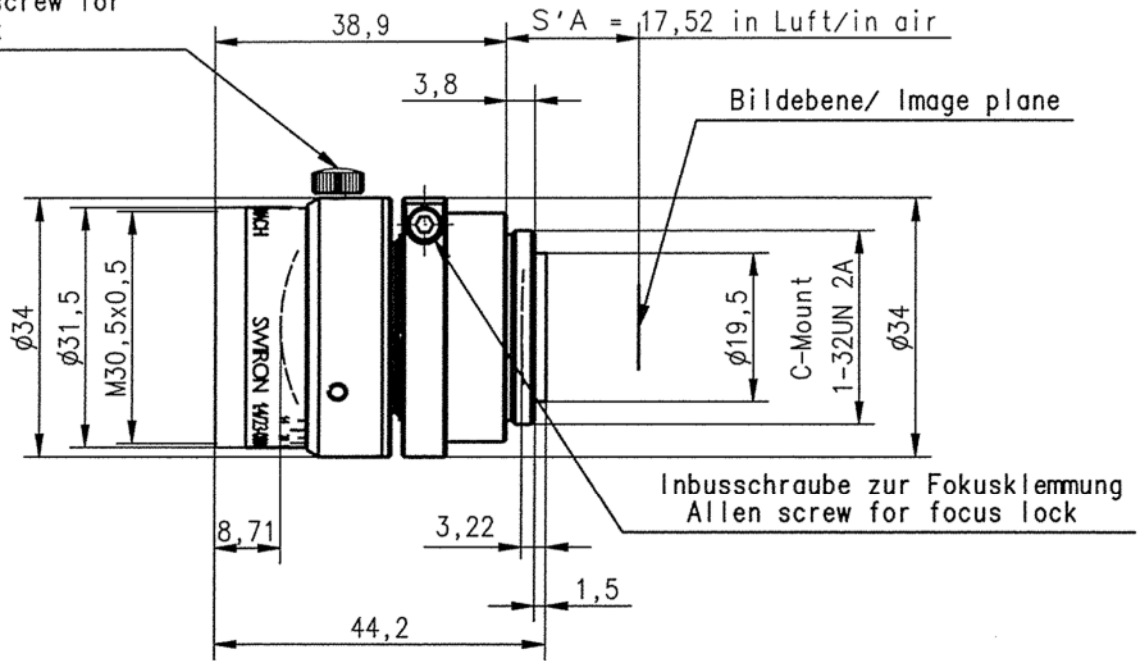
(CONFIDENTIAL)

(VERTRAULICH)

Schutzvermerk ISO 16016 beachten.

The reproduction, distribution and utilization of this document as well as the communication of its contents to others without explicit authorization is prohibited. Offenders will be held liable for the payment of damages. All rights reserved in the event of the grant of a patent, utility model or design.

Rändelschraube zur Blendenklemmung
Knurled screw for iris lock



Optische Grunddaten (optical Data)

f'	22,913	s'_{AP}	-39,789	Blendenbereich (iris range)	1,4 - 11
s'_F	15,462	β' Bereich (β' area)	-	Blendendurchmesser Nennwert (aperture diameter nominal)	1,46 - 9,43
s'_H	-7,450	β'_p ($\beta' = 0$)	2,411		
HH'	-7,674	$00'$ ($\beta' = 0$)	∞	Sonstige Angaben (other information)	
$S_t S_k$	32,250	s ($\beta' = 0$)	∞	Schutzkappe vorn (front lens cap)	30373
s_{EP}	19,063	s'_k ($\beta' = 0$)	15,462	Schutzkappe hinten (rear lens cap)	30422
Bildkreis (image circle)			11	Gewicht (weight)	115g
Angaben ohne Einheiten in mm (all dimensions without unit in mm)				Bestell-Nr. (order-no.)	1063163

Datum (date) 16.02.11

Nur zur Information (only for information)

Freigabe (release)

R & D	<input checked="" type="checkbox"/>
Production	<input checked="" type="checkbox"/>
Sales	<input checked="" type="checkbox"/>
VT	<input checked="" type="checkbox"/>

SWIRON 1,4/23-0904

Jos. Schneider Optische Werke GmbH
Ringstr. 132 55543 Bad Kreuznach
Germany

