

This wide angle 16 mm focal length C-Mount lens for 1" sensor with 5 megapixel resolution enables large field of views from short working distances, popular for food processing applications. The lens is equipped with a broadband AR coating for 400 nm to 1000 nm for used in visible range and in NIR. The robust and compact design with lockable focus and iris setting guarantees reliable continuous images under production conditions. For use in harsh environmental a ruggedized version, in which the mechanics are special secured is available.

This option is ideal for traffic surveillance and to be used on robots. With F# of 1.8 this fast lens is suitable also in closed machines with less light. Version with motorized p-iris offers better control in inspections systems as in-line quality assurance in automated production lines. More available lenses for 1" sensor is a 10 mm and 70 mm focal length lens.



Cinegon 1.8/16

Key features

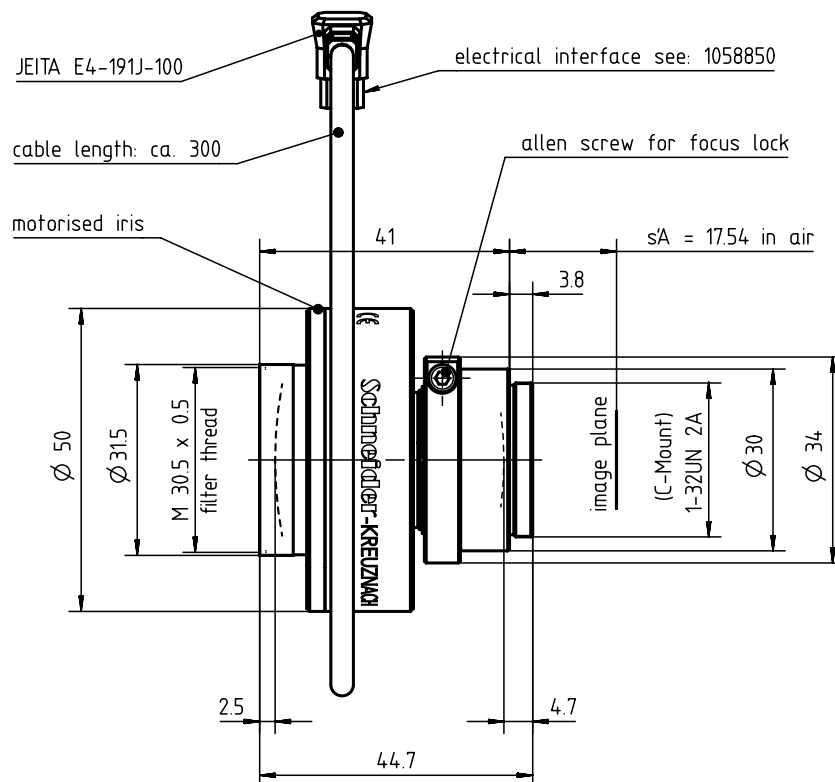
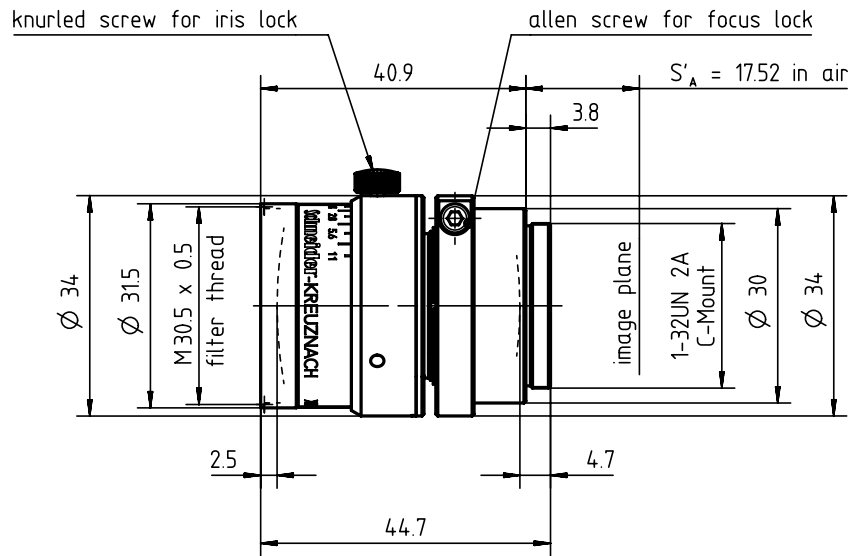
- Robust lens for up to 5 megapixel 1" sensors
- Broadband coating (400 - 1000 nm)
- Vibration insensitivity for stable imaging performance
- Ruggedized version available
- Version with motorized p-iris available

Applications

- Traffic
- Robot Vision
- Inspection Systems

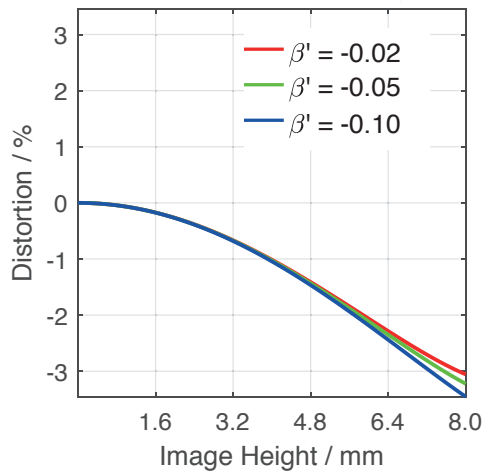
Name	Cinegon 1.8/16
Type	-0901 -0921 -1901
Focal Length [mm]	16
Magnification	-0.1
Image circle [mm]	16
Resolution [μm]	6.45
F/# range	1.8 ... 22
NA	0.28
Interface	C-Mount
Working distance [mm]	∞ - 155
AoV [°]	51
Focus control	manual
Transmission [nm]	400 - 1000
Filter thread [mm]	M30.5 x 0.5
Dimensions L x D [mm]	44.8 x 34.0

Name	Cinegon 1.8/16
Weight [g]	102
Storage temperature [°C]	-25 ... +70
f'_{eff} [mm]	16.43
S_F [mm]	11.08
S'_F [mm]	18.45
HH' [mm]	11.98
β'_p	2.591
S_{EP} [mm]	17.43
S'_{AP} [mm]	-24.13
Σd [mm]	37.48
ID	1001482
ID Ruggedized	1058928
ID Motorized p-iris	1061375

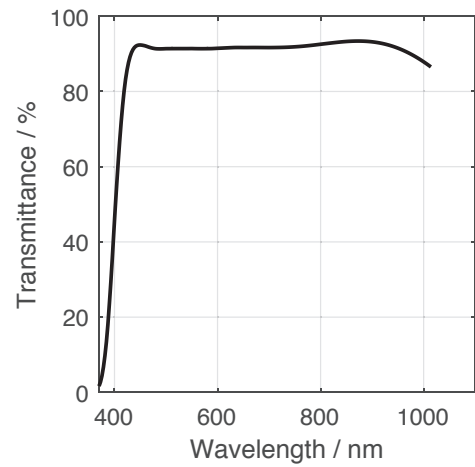


Motorized p-iris

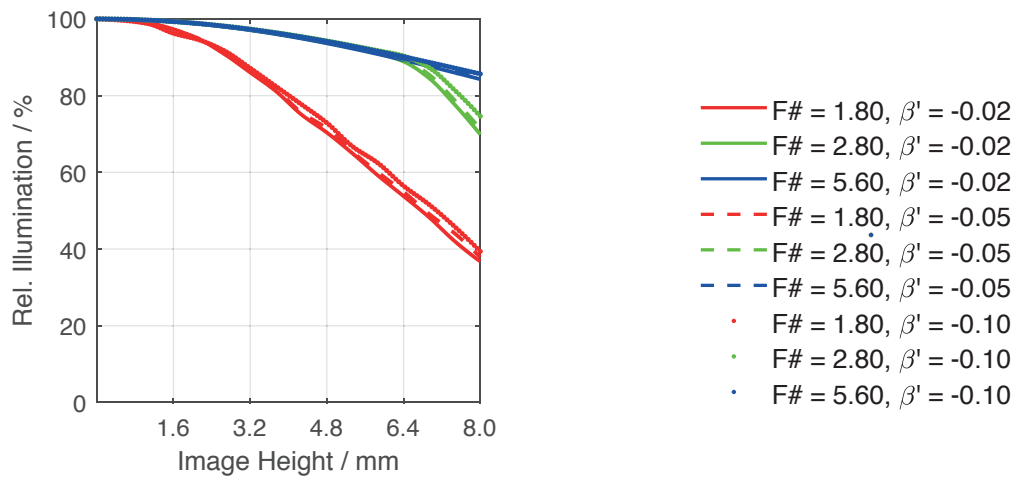
Distortion vs. Image Height



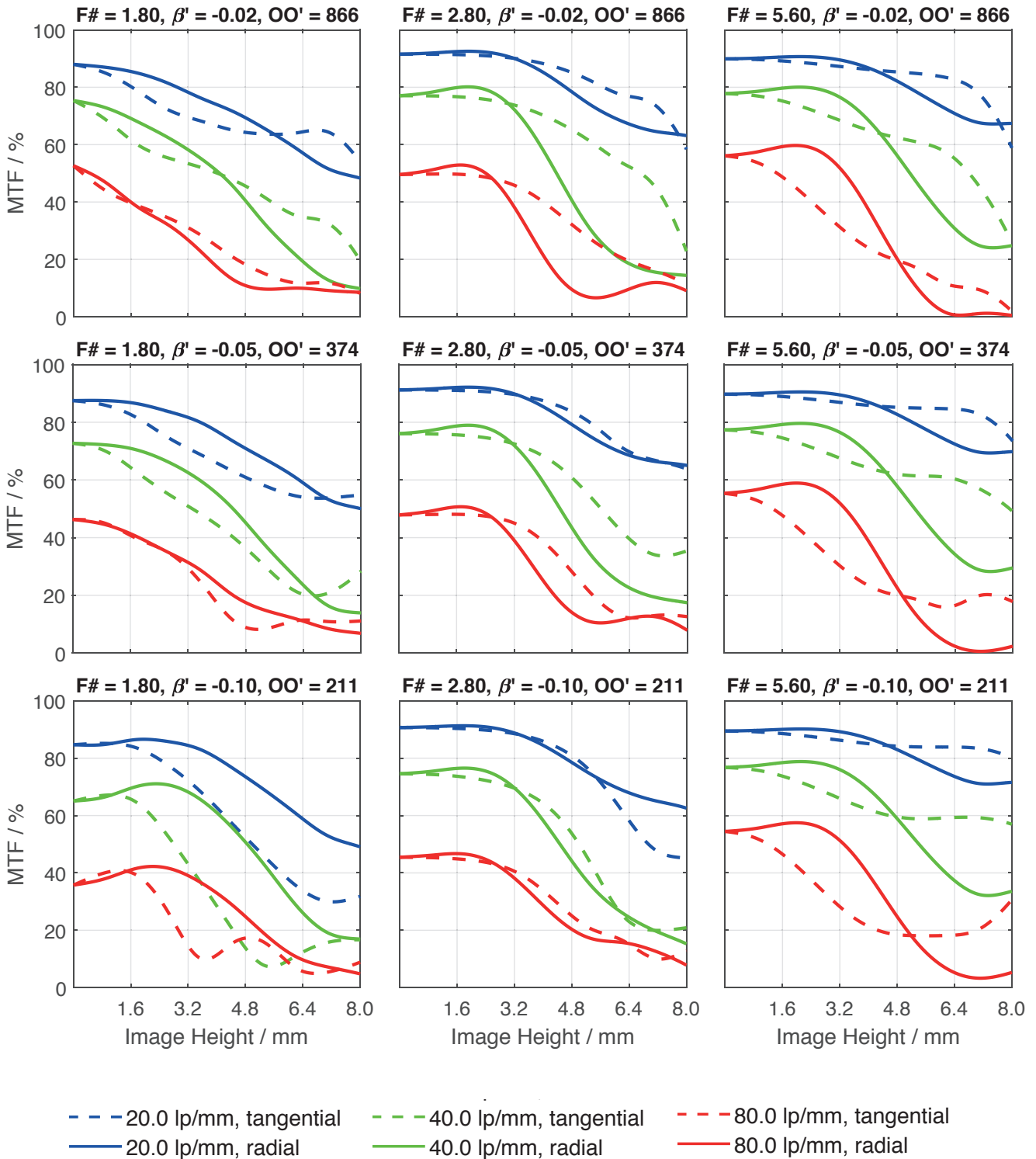
Transmittance vs. Wavelength



Relative Illumination vs. Image Height



Spectrum Name	VIS					
Wavelengths [nm]	425	475	525	575	625	675
Weights	8	16	23	22	19	13



Accessories	Mount	Length	ID
Adapter	CS-Mount Adapter	5 mm	25081
	C-Mount / M42 x 1 Adapter	-	1075817
Ext. Tube	C-Mount	5 mm	39316
	C-Mount	8 mm	39315
	C-Mount	10 mm	39312

Get more information

Contact our local offices



Headquarter Germany

Jos. Schneider Optische Werke GmbH

Ringstraße 132

55543 Bad Kreuznach

☎ +49 671 601 205

✉ cs@schneiderkreuznach.com

www.schneiderkreuznach.com

Offices Worldwide

China

☎ +86 755 8832 1170

✉ shawn.liu@schneider-asiapacific.com

North America

☎ +1 800 645 7239 (East Coast)

☎ +1 800 228 1254 (West Coast)

✉ info@schneideroptics.com

Singapore

☎ +65 9488 0062

✉ thongv@schneiderkreuznach.com